

SPECIFICATION

ZED 20.2 H

TECHNICAL DATA

- Double pantograph + telescopic boom (main boom + one extension)
- Sigma boom movement enabled by connecting rods
- 640° turret rotation
- Proportional, electrohydraulic controls in basket and ground
- Engine start and stop controls from basket and ground
- Anti-slip, aluminium flatbed decking with tool tray walls
- Basket base in composite material with aluminium guardrails
- 65° right + 65° left hydraulic basket rotation
- Automatic hydraulically actioned basket levelling
- 4 hydraulic outriggers with ground pressure sensors
- Hydraulic system operated by vehicle's PTO
- Buzzer indicating PTO engaged
- Hour meter
- 230 V AC CE electrical socket in the basket
- Standard boom colours blue (RAL 5017) or white (RAL 9003)
- CE Certified

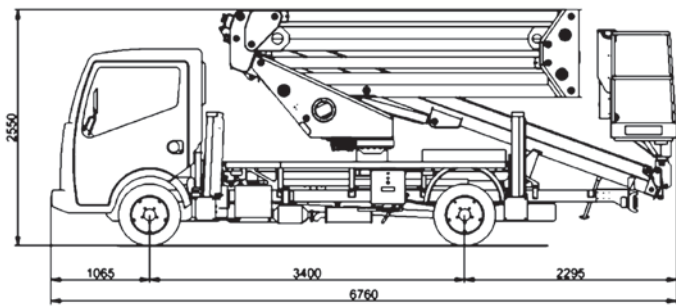
PERFORMANCE

Working height	20 m
Platform height	18 m
Working outreach	9,2 m
Capacity (2 people incl.)	230 / 300 kg*
Basket dim.	1400x700x1100 mm
GVW minimum	3,5 t

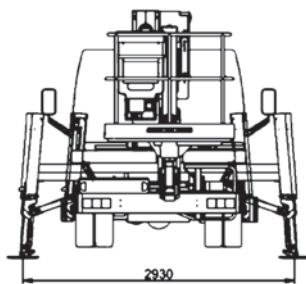
* With Load Cell. With VTR basket capacity 200/250 kg



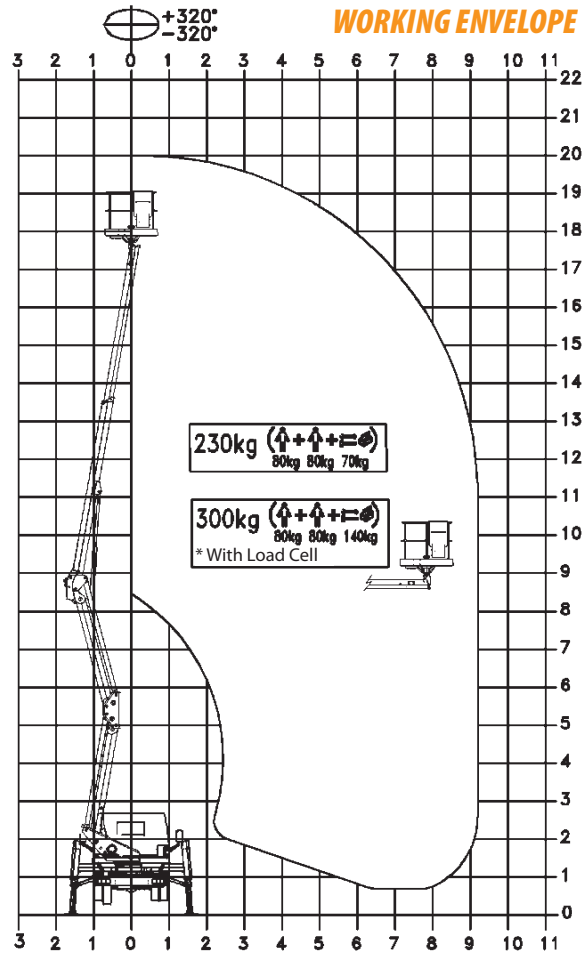
DIMENSIONS



OUTRIGGER FOOTPRINT



WORKING ENVELOPE



KEY POINTS



CTE S.p.A.

Headquarter and Factory - Rovereto (Tn): via Caproni, 7
 Factory - Rivoli V.se (Vr): loc. Terramatta, 5

ph. +39 0464.48.50.50 - fax +39 0464.48.50.99
 e-mail: info@ctelift.com

CTE UK Ltd - Enderby Leicestershire - UK
 CTE FRANCE Sas - Achères - France



www.ctelift.com